



REMOTE AIR CLEANER KIT OPERATOR'S MANUAL

FORM NO: 44544 (9-87)

PART NO: 44538, 44539

PRINTED IN USA
\$3.00

SECTION 1

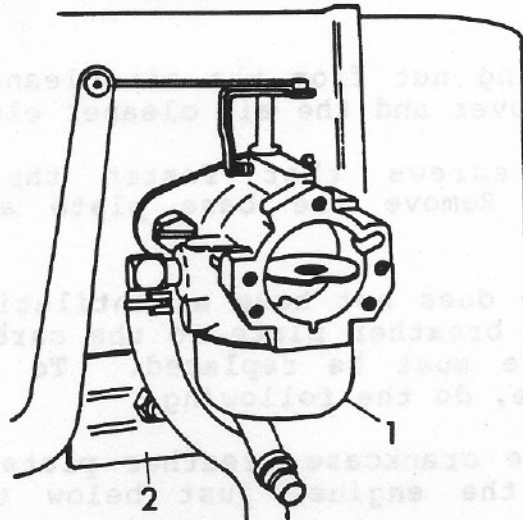
Installation

- 1.1 Remove the wing nut from the air cleaner cover. Remove the air cleaner cover and the air cleaner element.
- 1.2 Remove the screws that fasten the base plate to the carburetor. Remove the base plate and old gasket. See Figure 1.
- 1.3 If the engine does not have a ventilation hose that connects the crankcase breather plate to the carburetor, the crankcase breather plate must be replaced. To replace the crankcase breather plate, do the following:
 1. Remove the crankcase breather plate that is on the left side of the engine, just below the carburetor. See Figure 1.
 2. Install the new crankcase breather plate that is in the remote air cleaner kit.
 3. Put a hose clamp on each end of the ventilation hose. Put one end of the hose on the tube that is on the crankcase breather plate. Tighten the hose clamp.
- 1.4 Put the new gasket on the carburetor. Fasten the air cleaner elbow to the carburetor with the three 10-32 machine screws (8-32 machine screws on 8 HP units) and the three copper washers. See the illustration in Section 2.

NOTE: If the crankcase breather plate was replaced as directed in Step 1.3, remove the pipe plug from the tube that is on the bottom of the air cleaner elbow. Put the other end of the ventilation hose on the tube and tighten the hose clamp.

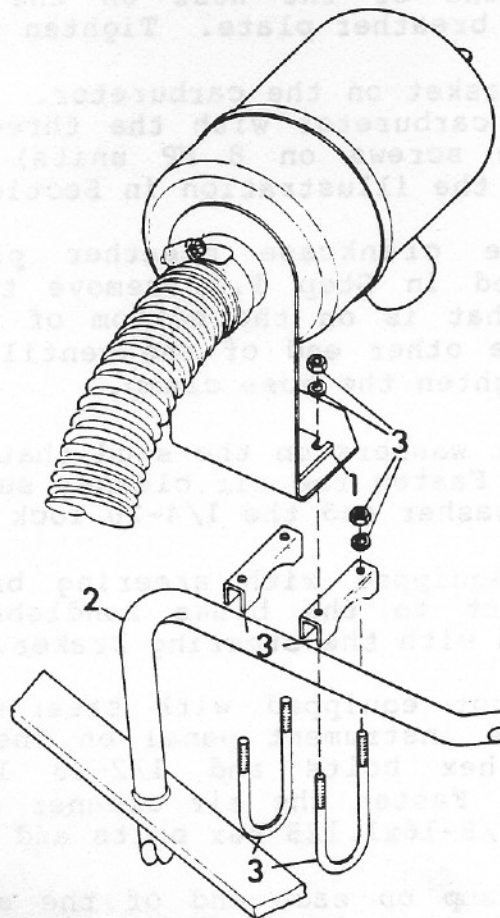
- 1.5 Put three flat washers on the stud that is on the side of the air cleaner. Fasten the air cleaner support to the stud with another flat washer and the 1/4-20 lock nut.
- 1.6 On tractors equipped with steering brakes, fasten the air cleaner support to the brake handlebar weldment using the clamp included with the steering brakes. See Figure 2.
- 1.7 On tractors not equipped with steering brakes, fasten the bracket to the instrument panel on the tractor with the two 1/2-13x1.50 hex bolts and 1/2-13 lock nuts. See the illustration. Fasten the air cleaner support to the bracket with the two 3/8-16x1.125 hex bolts and lock nuts.
- 1.8 Put a hose clamp on each end of the air cleaner hose. Put one end of the hose on the air cleaner elbow and the other end on the bottom of the air cleaner base. Tighten the hose clamps.

NOTE: Make sure that hose connections and air cleaner element are completely sealed.



- 1 - Carburetor
- 2 - Crankcase Breather Plate

FIGURE 1

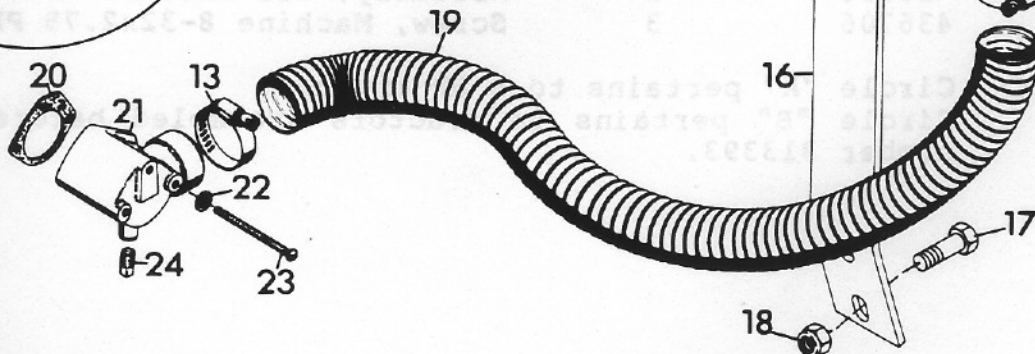
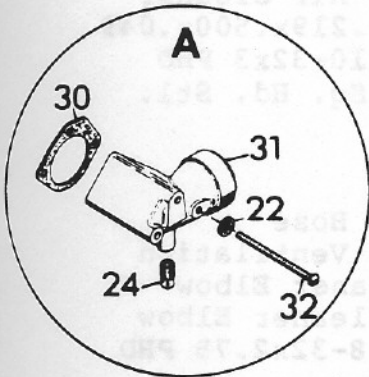
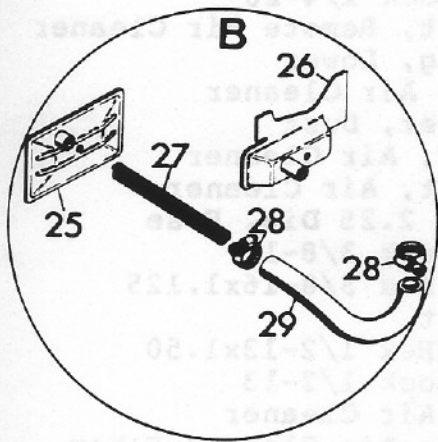


- 1 - Air Cleaner Support
- 2 - Brake Handlebar Weldment
- 3 - Clamp

FIGURE 2

SECTION 2

Illustrated Parts and Parts List



ITEM NO.	PART NO.	QTY.	DESCRIPTION
1	21330	1	Bolt, Special Air Cleaner
2	10905	1	Washer, Sealing
3	21331	1	Housing, Upper
4	21333	1	Filter, Element
5	120392	4	Washer, Flat .281x.625x.065
6	419454	1	Nut, Lock 1/4-20
7	21473	1	Support, Remote Air Cleaner
8	21332	1	Housing, Lower
9	21334	1	Clamp, Air Cleaner
10	21335	1	Unloader, Dust
11	21336	1	Gasket, Air Cleaner
12	21337	1	Bracket, Air Cleaner
13	21245	2	Clamp, 2.25 Dia. Hose
14	456004	2	Nut, Lock 3/8-16
15	180123	2	Bolt, Hex 3/8-16x1.125
16	42051	1	Bracket
17	180177	2	Bolt, Hex 1/2-13x1.50
18	435507	2	Nut, Lock 1/2-13
19	21233	1	Hose, Air Cleaner
20	21229	1	Gasket, Air Cleaner Elbow
21	24823	1	Assembly, Elbow Air Cleaner
22	113893	3	Washer, Copper .219x.500x.049
23	436762	3	Screw, Machine 10-32x3 PHD
24	103877	1	Plug, Pipe 1/8 Sq. Hd. Stl.
25	21320	1 (10, 12 HP)	Plate, Breather
26	21321	1 (8 HP)	Plate Breather
27	21375	1	Spring, Hose
28	21247	2	Clamp, .88 Dia. Hose
29	21232	1	Hose, Crankcase Ventilation
30	21324	1	Gasket, Air Cleaner Elbow
31	24355	1	Assembly, Air Cleaner Elbow
32	436706	3	Screw, Machine 8-32x2.75 PHD

NOTE: Circle "A" pertains to 8 HP engines.
Circle "B" pertains to tractors assembled before serial
number 313393.